



ROTECH FOR RELIABILITY!

*Why Accept Anything Less?*

## PE 4000 Series Polypropylene Body Heavy Duty – End of Shaft

The PE 4000 series of Rotech shaft encoders are manufactured in an extremely tough and durable 30% glass fibre reinforced polypropylene.

Installation is simple & easy, just one 12mm threaded hole in the end of the shaft being monitored or using the unique 'Mag-con' magnetic connector.

A wide range of number of pulses per revolution are available together with AC and DC electrical outputs.

### FOR MONITORING:

- Speed
- Distance
- Direction
- Belt slip
- Shaft stopped
- Underspeed
- Overspeed
- Safety guards interlocking

### FEATURES:

- Low cost
- Totally self contained (no guards required)
- Maintenance free for maximum reliability
- 1 to 1000 pulses per revolution
- Environment ingress-IP66
- -25 to +100 deg Celsius versions available



### MAG-CON MAGNETIC CONNECTOR

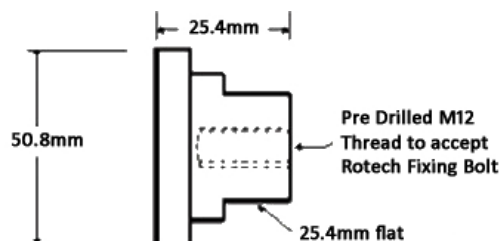
For quick and easy installation of Rotech shaft mounted sensors & encoders

**IMPORTANT NOTE:**

**MAXIMUM OPERATING SPEED IS 300RPM**

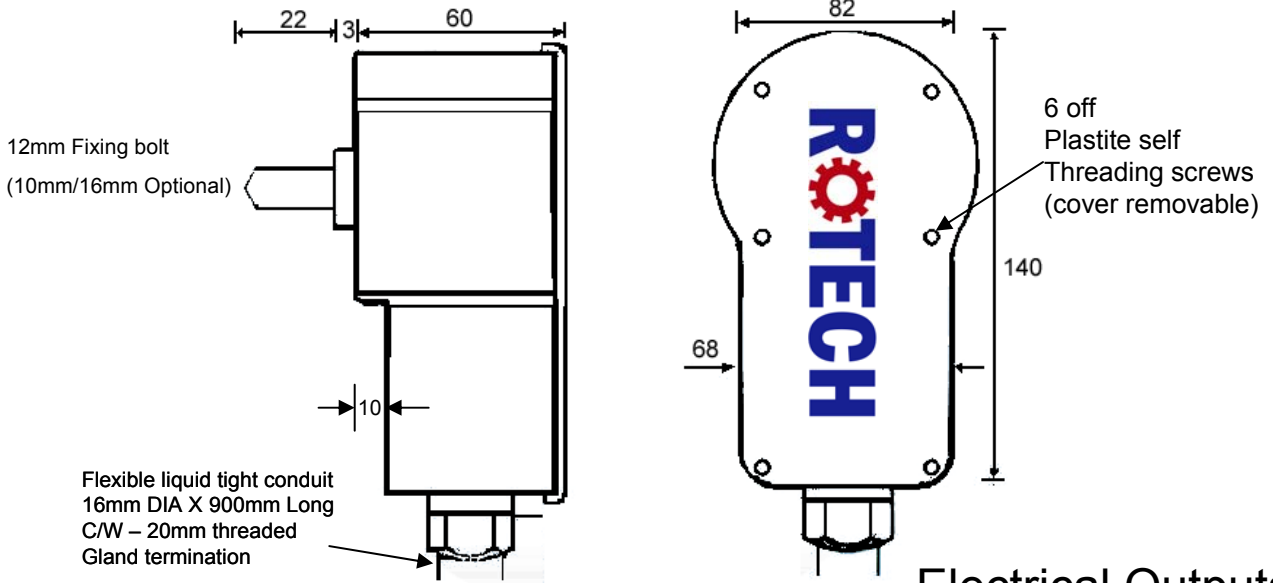
**RECOMMENDED MINIMUM**

**SHAFT DIAMETER FOR FITTING=35MM**



# Dimensions and Installation Information

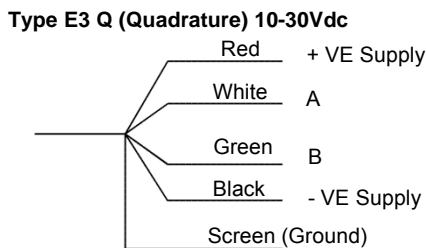
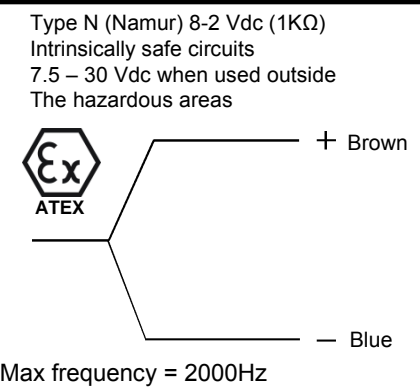
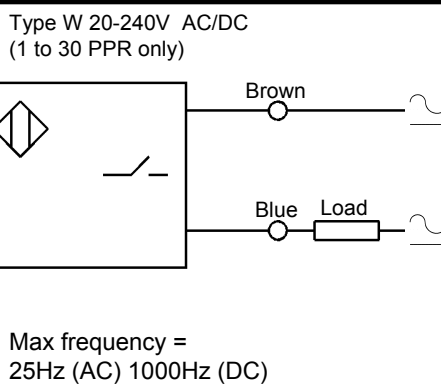
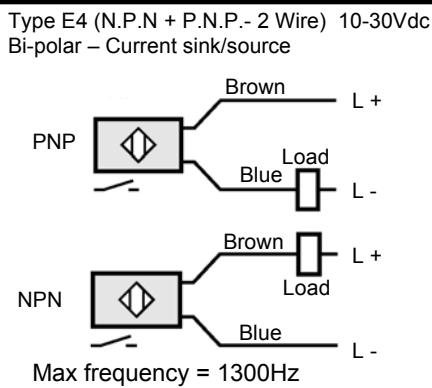
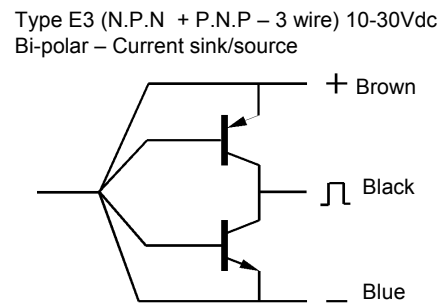
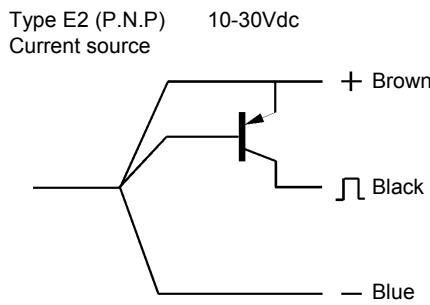
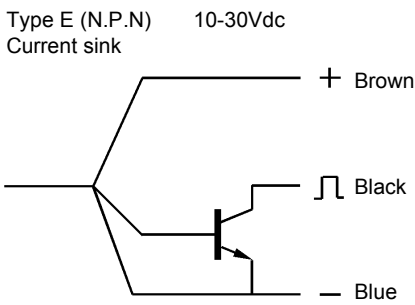
Shown in millimetres



## Electrical Outputs

### Available Pulse Rates (PPR)

1,2,4,5,6,8,10,12,16,20,30,32,40,50,60,100,120,180,240,250,300,360,500,1000 (Dependent Upon Output Type)



CH "A" Leads CH "B"  
for clockwise rotation  
viewed from shaft end  
of encoder

