



ROTECH FOR RELIABILITY!

*Why Accept Anything Less?*

BRAD® CONNECTIVITY

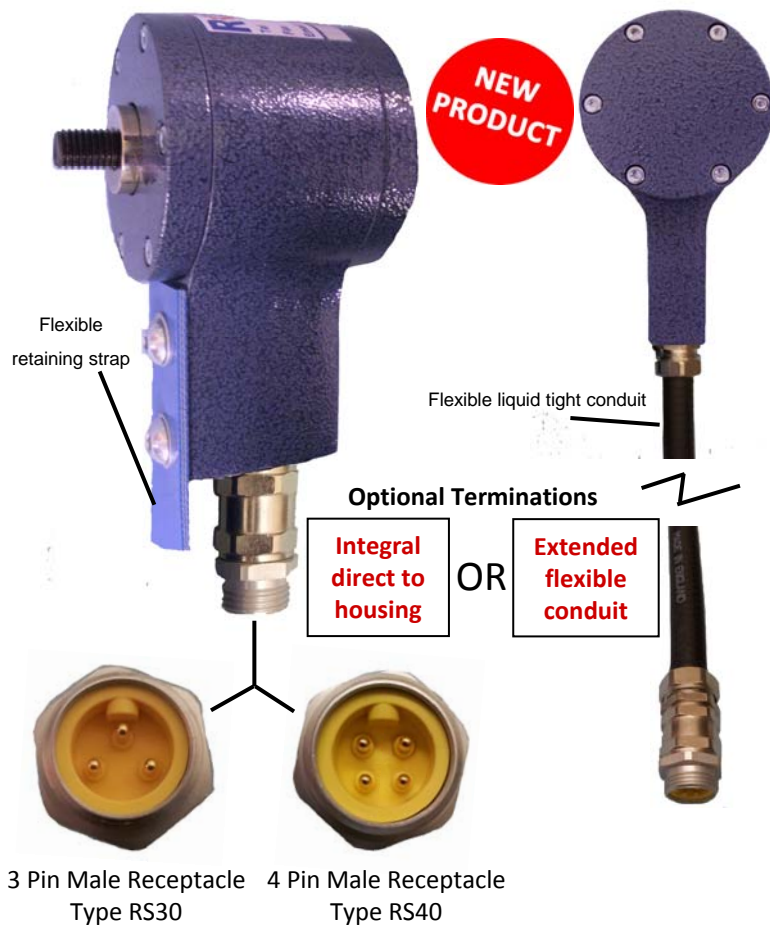
## AE 2000-RS Series Aluminium Body

HEAVY DUTY – END OF SHAFT

The AE 2000-RS series of Rotech shaft mounted motion sensors & encoders are manufactured in an extremely tough and durable aluminium casting with an industrial powder coated finish as well as being fitted with the Brad® Quick connectivity range of 3 & 4 pin receptacles for easy on site electrical termination.

Installation is simple and easy, just one 12mm threaded hole in the end of the shaft being monitored or fitted using the unique “Mag-Con” magnetic connector as shown below.

A wide range of number of pulses per revolution are available together with AC and DC electrical outputs. Quick connectivity using the standard Brad® Mini – Change® Connectors as shown below.



### FOR MONITORING:

- Speed
- Shaft stopped
- Distance
- Underspeed
- Direction
- Overspeed
- Belt slip
- Safety guards interlocking

### FEATURES:

- Totally self contained (no guards required)
- Maintenance free for maximum reliability
- 1 to 1000 pulses per revolution
- Environment ingress-IP67
- -25 to +70, 100, 125, 150, deg Celsius versions Available



### MAG-CON

Magnetic connector

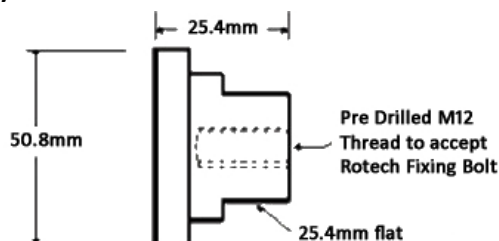
For quick and easy installation of Rotech shaft mounted sensors & encoders

**IMPORTANT NOTE:**

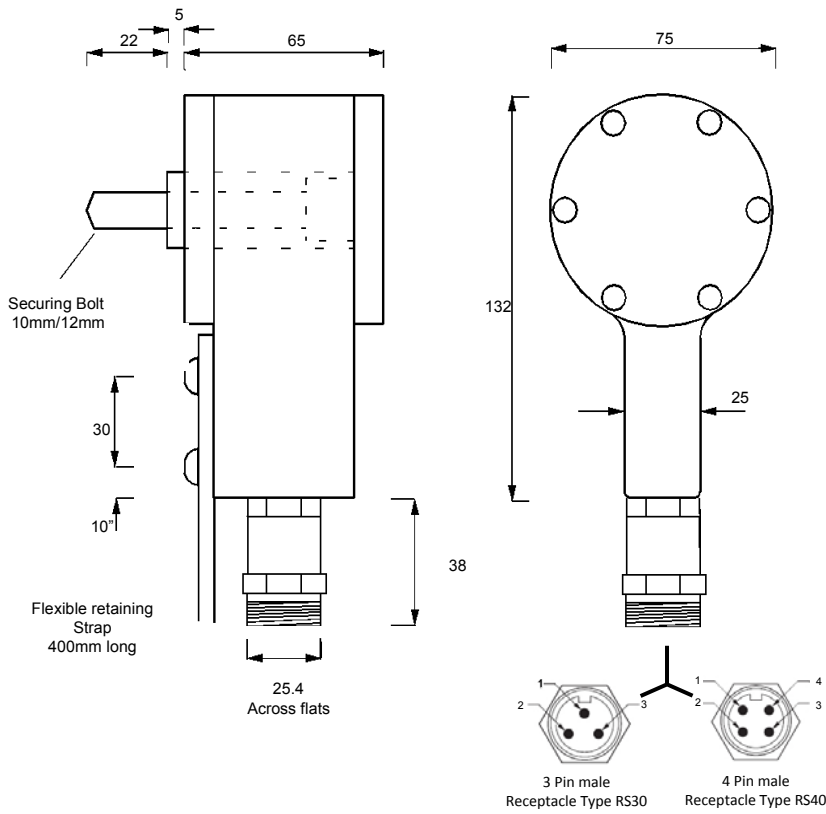
**MAXIMUM OPERATING SPEED IS 300RPM**

**RECOMMENDED MINIMUM**

**SHAFT DIAMETER FOR FITTING=35MM**



# Dimensions/Installation/Electrical Terminations



Dimensions shown in Millimetres

## RS30/RS40 Connection options available

Female Chassis/Conduit Plug

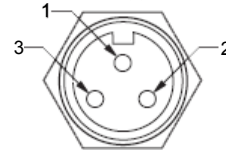


Female Cable Plug

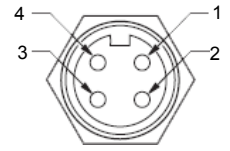


## Brad® Mini – Change® Connectors

3 Pin Female Connector Type RS30



4 Pin Female Connector Type RS40



Refer to electrical outputs below for pins designation

## Cable Cores Identification

**RS30**

1. Black
2. Brown
3. Blue

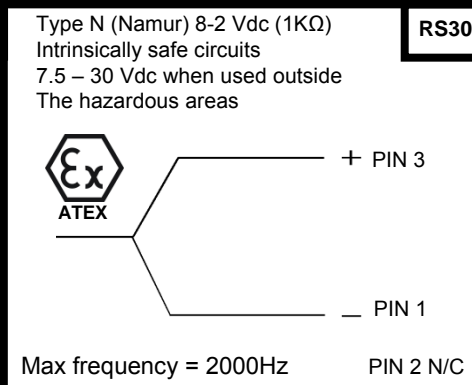
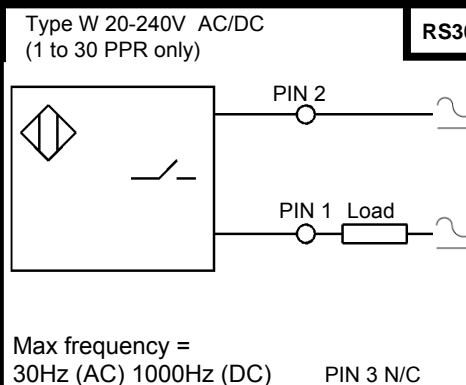
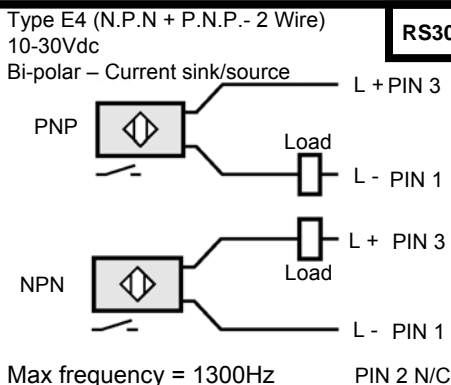
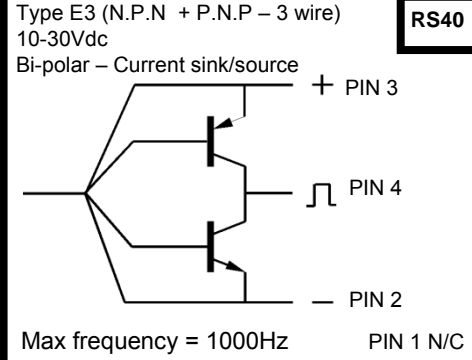
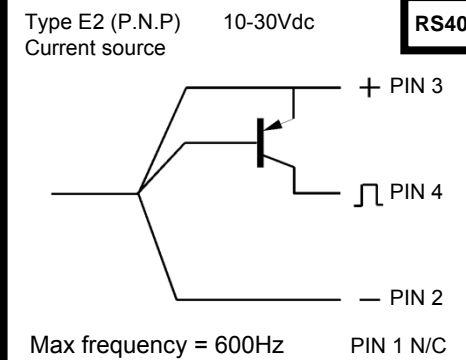
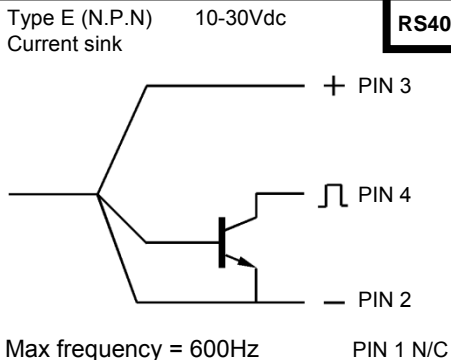
**RS40**

1. White
2. Blue
3. Brown
4. Black

## Available Pulse Rates (PPR)

1,2,4,5,6,8,10,12,16,20,30,32,40,50,60,100,120,180,240,250,300,360,500,1000 (Dependent Upon Output Type)

## Electrical Outputs



Tel : +44 (0)151 356 2322 Website: [www.rotechsystems.co.uk](http://www.rotechsystems.co.uk)  
Fax: +44 (0)151 356 2437 Email: [sales@rotechsystems.co.uk](mailto:sales@rotechsystems.co.uk)

