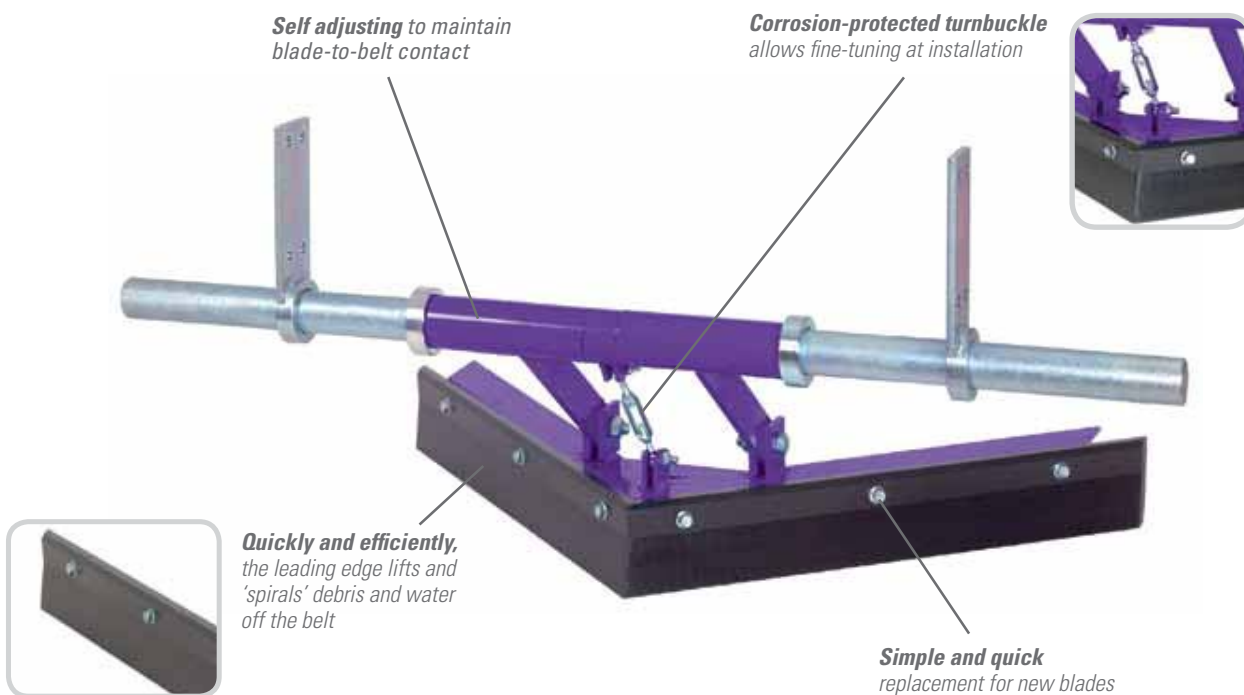


V-PLOW Belt Plows

A “Belt Cleaner” for the Tail Pulley

Keeping your conveyor beltlines clean is a problem that is not confined to the head pulley area. Many times rocks, lumps of carryback and other debris get into the tail pulley and cause damage to the belt, lagging and mechanical splices. This can lead to belt tracking problems and other maintenance and repair expenses. The V-Plow is uniquely designed to clean the inside of the return belt and eliminate nagging problems.



Features and Benefits

- **Reduces belt mistracking.** Material build-up on a pulley causes belt mistracking problems which can lead to other problems on the conveyor. The V-Plow removes those materials before they get into the pulley and begin building up.
- **Discharges to both sides of the belt.** The plow is angled to discharge materials to both sides of the belt, making it as convenient as possible for cleanup.
- **Can be used anywhere on the beltline.** The V-Plow can be installed on the inside of the return belt anywhere there is a problem with materials falling onto the belt. Many times it is installed just behind the head pulley to dump carry-back before it travels down the beltline.

V-PLOW Belt Plows

Specifications and Guidelines

- **Maximum Belt Speed**
1000 FPM (5 M/sec)
- **Temperature Rating**
-40°F to 160° F (-40° C to 71° C)
- **Cleaner Material**
UHMWPE 67-D durometer
- **Belt Direction**
One Way
- **Available for Belt Widths**
18" to 96" (450 to 2400mm)
- **Grease and Chemical Resistance**
Excellent
- **Sticky Material Performance**
Excellent

Ordering Information

V-Plow				
Size	Belt Width		Ordering Number	Item Code
	in.	mm		
Extra Small	18-24	450-750	CBV-XS	73131
Small	30-36	750-900	CBV-S	73132
Medium	42-48	1050-1200	CBV-M	73133
Large	54-60	1350-1500	CBV-L	73134
72"	72	1800	CBV-72	74389
84"	84	2100	CBV-84	74390
96"	96	2400	CBV-96	74391

Replacement Blade Kits				
Size	Belt Width		Ordering Number	Item Code
	in.	mm		
Extra Small	18-30	450-750	VBK-XS	73190
Small	36-42	750-900	VBK-S	73191
Medium	48-60	1050-1200	VBK-M	73192
Large	72-84	1350-1500	VBK-L	73193
72"	72	1800	VBK-72	74457
84"	84	2100	VBK-84	74458
96"	96	2400	VBK-96	74459

Optional Urethane Blade Kits				
Size	Belt Width		Ordering Number	Item Code
	in.	mm		
Extra Small	18-30	450-750	VUBK-XS	75570
Small	36-42	750-900	VUBK-S	75571
Medium	48-60	1050-1200	VUBK-M	75572
Large	72-84	1350-1500	VUBK-L	75573
72"	72	1800	VBK-72	75574
84"	84	2100	VUBK-84	75575
96"	96	2400	VUBK-96	75576

Shaded items are made to order.
Lead time: 10 working days

Additional Information

Use in combination with a precleaner and secondary cleaner for the most effective cleaning solution.



Authorized Distributor:



2525 Wisconsin Avenue • Downers Grove, IL 60515-4200 U.S.A.
Tel: (630)-971-0150 • Fax: (630)-971-1180 • E-mail: info@flexco.com • Web: www.flexco.com

Australia: 61-2-9680-3322 • China: 86-21-33528388 • England: 44-1274-600-942
Germany: 49-7428-9406-0 • Mexico: 52-55-5674-5326 • South Africa: 27-11-608-4180

©2011 Flexible Steel Lacing Company, 11/11. For Reorder: X2537

